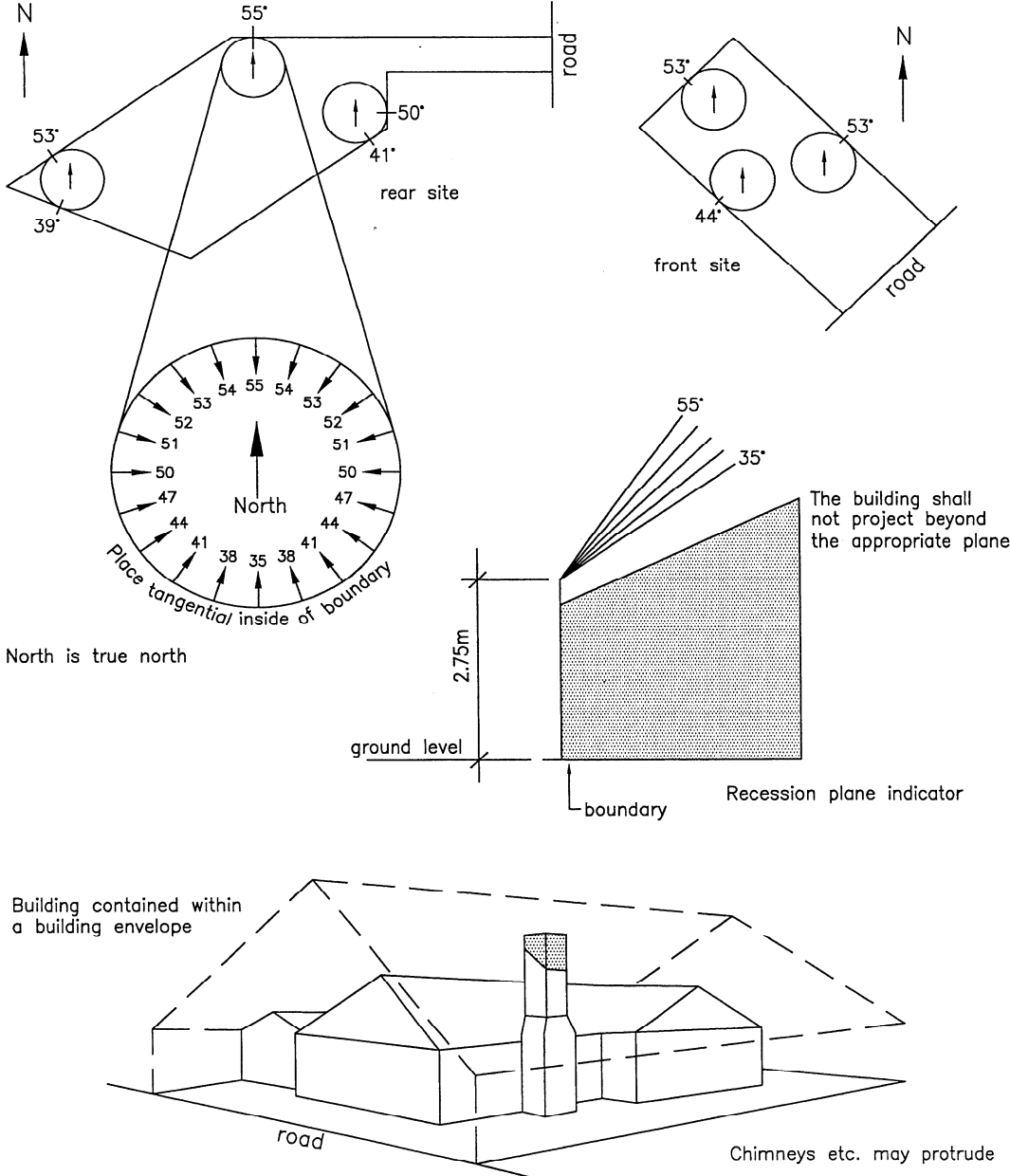


METHOD OF DETERMINING RECESSION PLANES



North is true north

The building shall not project beyond the appropriate plane

Building contained within a building envelope

Chimneys etc. may protrude